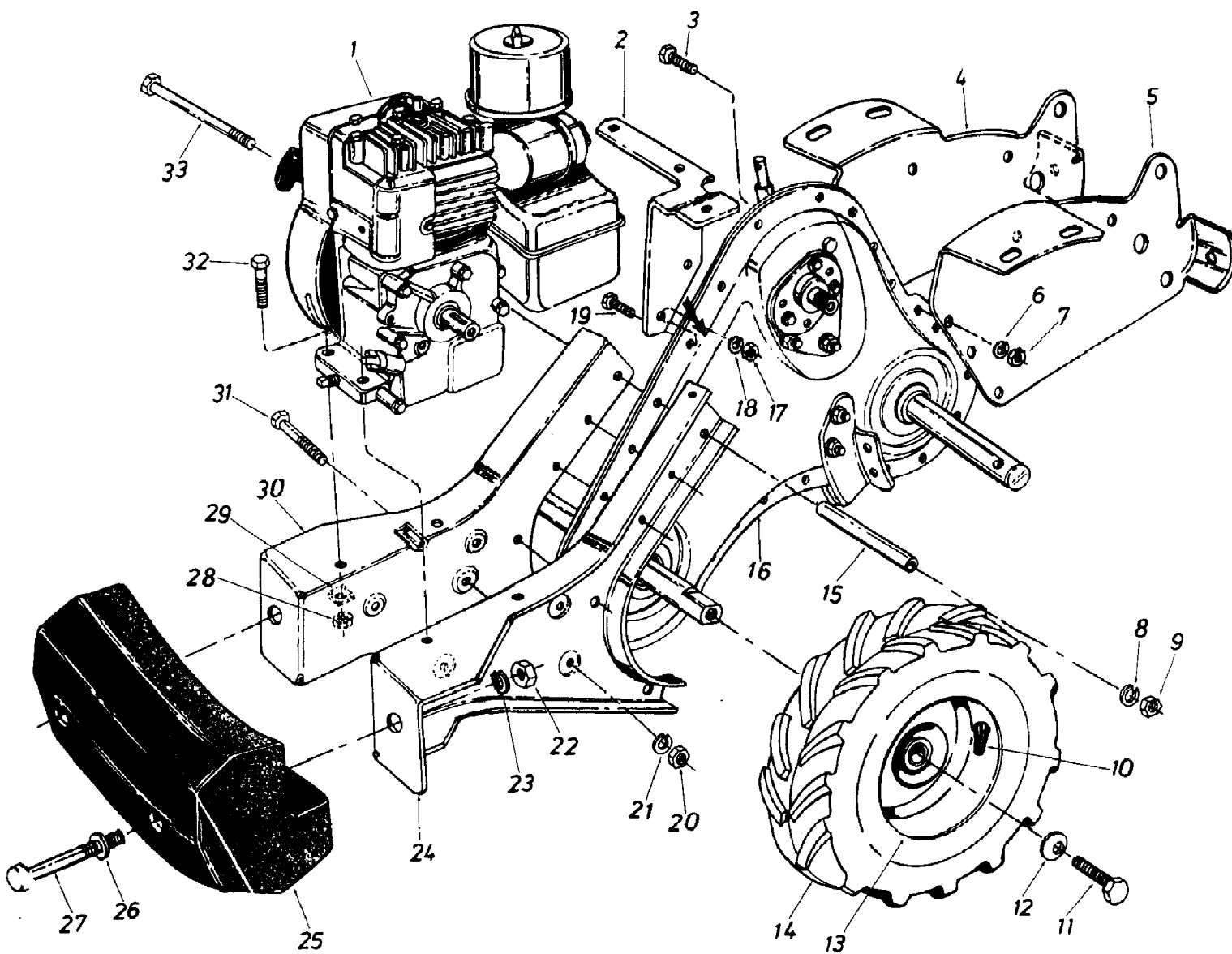


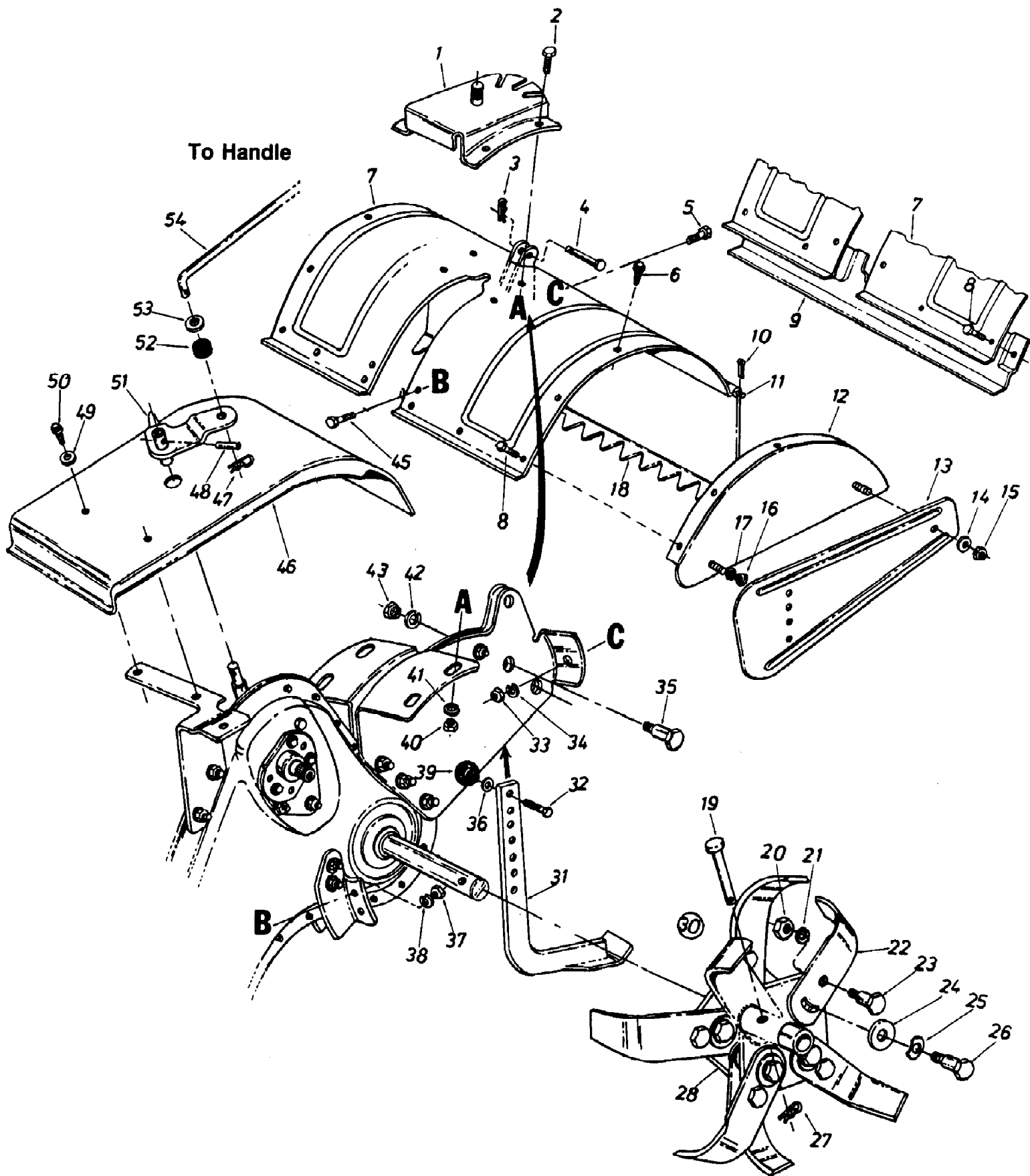
Ref #	Part Number	Qty	S/P/F	Description
1	710-0974	1	/P	Hex Bolt 5/16-18 x 4.75" Lg.Gr. 2
2	710-0604	1	S	Hex Wash. TT-Tap Scr. 5/16-18 x .62" Lg.
3	784-0203	1		Bracket Clutch Cable
4	746-0612	1	S	Clutch Control Cable 53" Lg.
5	784-0175	1		Idler Bracket Ass'y.
6	712-0158	1	S	Hex Cent. L-Nut 5/16-18 Thd.
8	738-0681	1		Shld. Bolt .500" Dia. x 2.27"
9	754-0325	1	S	"V"-Belt 1/2" X 58" Lg.
10	756-0472	1		"V"-Pulley Split 5/8" I.D.
11	736-0176	1	S	FI-Wash. 1/4" I.D. x .93" O.D.
12	710-0412	1	/P	Hex Bolt 1/4-28 x .75" Lg.
13	710-0599	1	/P	Hex Wash. Hd. S-Tap Scr. 1/4-20 x .50" Lg.
14	736-0463	1	S	FI-Wash. .281" I.D. x .625"
15	750-0688	1		Spacer 3/8" I.D. x 3.38" Lg.
16	712-0262	1	/P	Hex Cent. L-Nut 3/8-24 Thd.
17	736-0119	1	S	L-Wash. 5/16" I.D.
18	736-0123	1	S	FI-Wash. 5/16" I.D.
19	712-0287	1	S	Hex Nut 1/4-20 Thd.
20	736-0329	1	S	L-Wash. 1/4" I.D.
21	784-0158	1	S	Belt Cover
22	756-0405	1	/P	FI-Idler w/ Flanges 3.75" O.D.
23	710-0409	1	/P	Hex Bolt 5/16-24 x 1.75"
24	710-0152	1	S	Hex Bolt 3/8-24 x 1.00" Lg.
25	736-0169	1	S	L-Wash. 3/8" I.D.
26	736-0258	1	/P	FI-Wash. 3/8" I.D. x 1.00"
27	750-0345	1		Spacer .758" I.D. x .990"
28	748-0282	1		Engine Pulley
29	712-0123	1	/P	Hex Nut 5/16-24 Thd.
31	710-0237	1	/P	Hex Bolt 5/16-24 x .62" Lg.
34	784-0197	1		Belt Keeper Ass'y.
36	736-0258	1	/P	FI-Wash. 3/8" I.D. x 1.00"
37	751-0360	1	S	Casing Clamp
38	710-0899	1	S	Hex Sems Scr. #10-32 x .62"

216-430-190 RB-580 (1986)
Frame Assembly



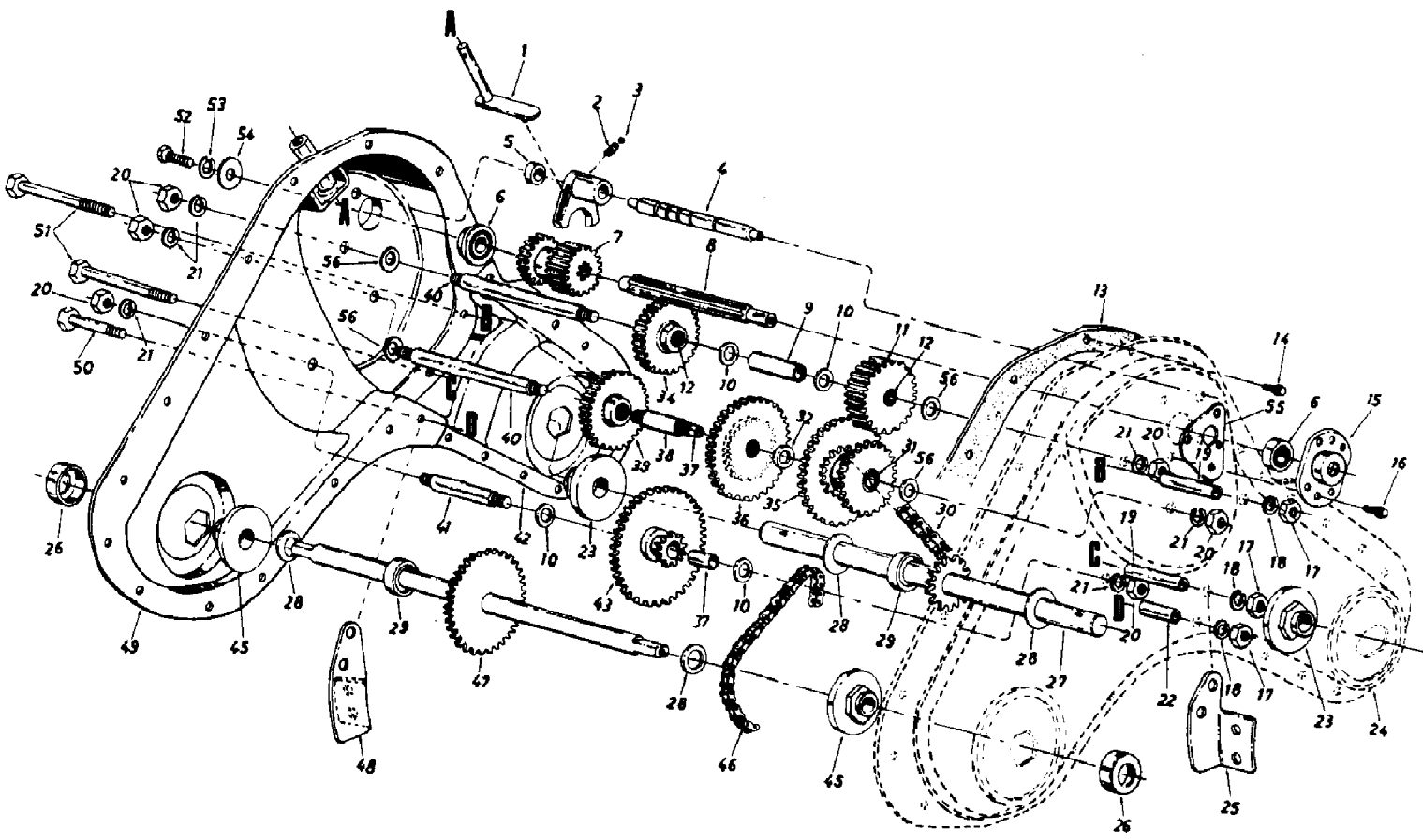
Ref #	Part Number	Qty	S/P/F	Description
1		1		Engine
2	784-0199	1		Belt Cover Mounting Brkt.
3	710-0253	1	S	Hex Bolt 3/8-16 x 1.00" Lg.*
4	784-0178	1	S	Tine Shield Mtg. Brkt.-R.H.
5	784-0177	1		Tine Shield Mtg. Brkt.-L.H.
6	736-0169	1	S	L-Wash. 3/8" I.D.*
7	712-0798	1	/P	Hex Nut 3/8-16 Thd.*
8	736-0119	1	S	L-Wash. 5/16" I.D.*
9	712-0267	1	S	Hex Nut 5/16-18" Thd.*
10	734-0255	1	S	Air Valve
11	710-0237	1	/P	Hex Bolt 5/16-24 x .62" Lg.*
12	736-0242	1	/P	Bell-Wash. .345" I.D. x .88"
13	734-1376	1		Wheel Rim Ass'y. Only
14	734-1377	1		L.H. Wheel Ass'y. Comp.
	734-1378	1		R.H. Wheel Ass'y. Comp.
	734-1154	1	S	Tire Only 13 x 5.0
15	750-0688	1		Spacer 3/8" I.D. x 3.38" Lg.
16	784-0150	1	S	Transmission Comp.
17	712-0267	1	S	Hex Nut 5/16-18 Thd.*
18	736-0119	1	S	L-Wash. 5/16" I.D.*
19	710-0118	1	S	Hex Bolt 5/16-18 x .75" Lg.*
20	712-0798	1	/P	Hex Nut 3/8-16 Thd.*
21	736-0217	1	S	L-Wash. 3/8" I.D.-H.D.
22	712-0206	1	S	Hex Nut 1/2-13 Thd.*
23	736-0921	1	S	L-Wash. 1/2" I.D.*
24	784-0155	1		Engine Mounting Rail-R.H.
25	723-0381	1		#40 Counter Weight
26	736-0326	1	S	FI-Wash. .510" I.D. x 1.0"
27	710-0382	1		Hex Bolt 1/2-13 X 5.00" Lg.*
28	712-0267	1	S	Hex Nut 5/16-18 Thd.*
29	736-0119	1	S	L-Wash. 5/16" I.D.*
30	784-0154	1		Engine Mounting Rail-L.H.
31	710-0216	1	/P	Hex Bolt 3/8-16 x .75" Lg.*
32	710-0442	1	S	Hex Bolt 5/16-18 x 1.50**
33	710-0974	1	/P	Hex Bolt 5/16-18 x 4.75" Lg.Gr. 2

Ref #	Part Number	Qty	S/P/F	Description
1	710-0779	1	S	Truss Mach. AB-Tap. Scr. #10 x .50" Lg.
2	831-0823	1	S	Throttle Control Box Ass'y.
3	746-0513	1	S	Throttle Control Wire
4	720-0180	1	S	Handle Grip
5	720-0210	1	S	Small "T" Knob
6	720-0209	1		Large "T" Knob
7	747-0666	1		Clutch Rod
8	747-0664	1		Control Rod .33 Dia. x 37" Lg.
9	735-0228	1		Snap On Bushing 3/8" Dia.
10	725-0157	1	/P	Cable Tie-Self Clinching
11	784-0202	1	S	Clutch Grip Ass'y.-L.H.
12	746-0605	1	S	Barrel Cable Hold Down
13	710-0919	1	/P	Hex B-Tap Scr. #10 x .44" Lg.
14	710-0427	1	S	Hex Bolt 3/8-16 x 2.0" Lg.
15	712-0266	1	S	Hex Cent. L-Nut 3/8-16 Thd.
16	746-0612	1	S	Clutch Control Cable 53" Lg.
17	710-0194	1	/P	Hex Bolt 3/8-16 x 3.00" Lg.
18	736-0217	1	S	L-Wash. 3/8" I.D.-H.D.
19	784-0185	1	S	Handle Ass'y.
20	712-0798	1	/P	Hex Nut 3/8-16 Thd.
21	784-0189	1		Handle Tubing Ass'y.
22	735-0226	1		Rubber Grommet .66" I.D. x 1.12" O.D.
23	714-0507	1	S	Cotter Pin 3/32" Dia. x .75" Lg.*
24	714-0111	1	S	Cotter Pin 3/32" Dia. x 1.25" Lg.*
25	712-0386	1	S	Hex Slotted Nut 5/8-18 Thd.
26	784-0190	1		Handle Adj. Crank
27	712-0375	1	/P	Hex Cent. L-Nut 3/8-16 Thd.
28	712-0798	1	/P	Hex Nut 3/8-16 Thd.
29	736-0105	1	/P	Bell-Wash. .400" I.D. x .87" O.D.
30	784-0182	1	S	Handle Pivot Bracket
31	784-0183	1		Positioner Crank Ass'y.
32	732-0493	1		Spring Handle Adj. (Torsion)
33	712-0379	1	/P	Hex Flange Nut 3/8-24 Thd.
34	784-0191	1		Bracket Hex Nut Retainer
35	710-0644	1		Hex Bolt 3/8-16 x 3.25" Lg.
36	710-0521	1	/P	Hex Bolt 3/8-16 x 3.00" Lg.-Gr. 8
37	710-0216	1	/P	Hex Bolt 3/8-16 x .75" Lg.
38	784-0181	1	S	Handle Positioner Brkt. Ass'y.
39	714-0145	1	S	Intern. Cotter Pin
40	711-0415	1	S	Clevis Pin .375" Dia.
41	784-0156	1		Tine Shield 18"
42	710-0118	1	S	Hex Bolt 5/16-18 x .75" Lg.
43	784-0210	1		Bracket Reinforcement-18"
44	14979	1	S	Tine Shield Hinge Flap
46	714-0104	1	S	Intern. Cotter Pin 5/16" Dia.
47	784-0208	1		Shift Cover
48	715-0120	1	S	Spring Roll Pin 3/16" Dia. x 1.00" Lg.
49	784-0173	1		Shifting Crank Ass'y. D x 2.05
50	735-0127	1	/P	Rubber Washer .33" I.D. x .87" O.D.
51	736-0133	1	S	FI-Wash. .400" I.D. x 1.250" O.D.
52	735-0227	1		Snap On Bushing 1/2" Dia.



Ref #	Part Number	Qty	S/P/F	Description
1	784-0181	1	S	Handle Positioner Brkt. Ass'y.
2	710-0216	1	/P	Hex Bolt 3/8-16 x .75" Lg.
3	714-0145	1	S	Intern. Cotter Pin 5/16" Dia.
4	711-0415	1	S	Clevis Pin .375" Dia.
5	710-0118	1	S	Hex Bolt 5/16-18 x .75" Lg.
6	710-0607	1	/P	Hex Wash. Tap Scr.
7	784-0156	1		Tine Shield 18"
8	710-0118	1	S	Hex Bolt 5/16-18 x .75" Lg.
9	784-0210	1		Bracket Reinforcement-18
10	714-0507	1	S	Cotter Pin 3/32" Dia. x .75" Lg .
11	747-0432	1		Tiller Flap Rod
12	784-0179	1	S	End Cover Ass'y.
13	15390	1	S	Side Shield
14	736-0242	1	/P	Bell-Wash. .345" I.D. x .88" O.D.
15	712-0267	1	S	Hex Nut 5/16-18 Thd.
16	712-0267	1	S	Hex Nut 5/16-18 Thd.
17	736-0119	1	S	L-Wash. 5/16" I.D.
18	14979	1	S	Tine Shield Hinge Flap
19	711-0415	1	S	Clevis Pin .375" Dia.
20	712-0241	1	/P	Hex Nut 3/8-24 Thd.
21	736-0217	1	S	L-Wash. 3/8" I.D.-H.D.
22	742-0305	1	S	13" Dia. Articulating Tine
23	738-0689	1	S	Shld. Bolt 1/2" Dia. x .175
24	736-0208	1	S	FI-Wash. .51" I.D. x 1.50" O.D.
25	736-0255	1	S	Bell-Wash. .515" I.D. x 1.14" O.D.
26	738-0688	1	S	Shld. Bolt 1/2" Dia. x .320
27	714-0149	1	S	Intern. Cotter Pin
28	784-0160	1	S	Tine Adapter Ass'y. 18"
30	784-0205	1	S	Tine Ass'y. Comp. 18"
31	14992	1	S	Depth Bar Ass'y.
32	710-0216	1	/P	Hex Bolt 3/8-16 x .75" Lg.*
33	712-0267	1	S	Hex Nut 5/16-18 Thd.*
34	736-0119	1	S	L-Wash. 5/16" I.D.*
35	738-0148	1	S	Shld. Bolt 1/2" I.D. x .62" Lg.
36	736-0117	1	S	FI-Wash. 3/8" I.D. x 5/8" O.D.
37	712-0267	1	S	Hex Nut 5/16-18 Thd.*
38	736-0119	1	S	L-Wash. 5/16" I.D.*
39	720-0165	1	S	Ball Knob
40	712-0798	1	/P	Hex Nut 3/8-16 Thd.*
41	736-0169	1	S	L-Wash. 3/8" I.D.*
42	736-0169	1	S	L-Wash. 3/8" I.D.*
43	712-0798	1	/P	Hex Nut 3/8-16 Thd.*
45	710-0118	1	S	Hex Bolt 5/16-18 x .75" Lg.*
46	784-0208	1		Shift Cover
47	714-0104	1	S	Intern. Cotter Pin 5/16" Dia.
48	715-0120	1	S	Spring Roll Pin 3/16" Dia. x 1.00" Lg.
49	736-0463	1	S	FI-Wash. .281" I.D. x .62" O.D.
50	710-0599	1	/P	Hex Wash. Self-Tap Scr. 1/4-20 x .50" Lg.
51	784-0173	1		Shifting Crank Ass'y. D x 2.05
52	735-0127	1	/P	Rubber Washer .33" I.D. x .87" O.D.
53	736-0133	1	S	FI-Wash. .400" I.D. x 1.250" O.D.
54	747-0664	1		Control Rod .33" Dia. x 37" Lg.

216-430-190 RB-580 (1986)
Tine Chain Case Assembly



Ref #	Part Number	Qty	S/P/F	Description
1	784-0171	1		Shifting Bracket Ass'y.
2	732-0496	1	S	Compression Spring .50" Lg.
3	741-0862	1	/P	Ball Detent .250" Dia.
4	738-0645	1		Detent Shaft 1/2" Dia.
5	750-0664	1		Spacer .505" I.D. x .88" O.D.
6	741-0155	1	S	Ball Brg. .62" I.D. x 1.38"
7	717-0851	1	S	Spur Gear 16T (Input)
8	717-0852	1		Input Spline Shaft 7/8
9	750-0651	1		Spacer .657" I.D. x 2.85" Lg.
10	736-0187	1	/P	FI-Wash. .640" I.D. x 1.24"
11	717-0857	1		Spur Gear 30T 7/8" I.D. x 1/4" O.D.
12	741-0478	1	S	Needle Bearing 5/8" I.D.
13	721-0211	1	S	Gasket-Trans. Hsg.
14	710-0599	1	/P	Hex Wash. S-Tap Scr. 1/4-20 x .50" Lg.
15	784-0211	1		1-3/8" Dia. Bearing Housing
16	710-0642	1	/P	Hex TT-Tap Scr. 1/4-20 X .75"
17	712-0267	1	S	Hex Nut 5/16-18 Thd.
18	736-0119	1	S	L-Wash. 5/16" I.D.
19	750-0662	1		Spacer 1.56" Lg.
20	712-0378	1	/P	Hex Nut 7/16-20 Thd.
21	736-0407	1		Bell-Wash. .45" I.D. x 1.0"
22	750-0661	1		Spacer 1.015" Lg.
23	741-0420	1	S	Tine Shaft Brg. 1.002 x 2.50
24	784-0214	1		Trans. Housing Ass'y.-L.H.
25	784-0193	1		Bracket Gear Case-L.H.
26	784-0166	1	S	Dust Cover Ass'y. .750 Shaft
27	784-0168	1	S	Tine Shaft Ass'y. 1.00" O.D.
28	736-0163	1	S	Thrust Washer 1.030 I.D. x 1.62" O.D.
29	750-0570	1	S	Spacer 1.0" I.D. x .50" Lg.
30	713-0226	1	S	Chain #50 5/8 Pitch x 52 0 Links-Endless
31	741-0488	1	S	Needle Bearing 5/8" I.D.
32	736-0402	1		FI-Wash. 5/8" I.D. x 1-1/4" O.D. x .150
34	717-0854	1		Spur Gear 30T 12/16" I.D. x 1/2" W
35	717-0874	1	S	30/44T Gear Ass'y. Comp.
36	717-0863	1		Spur Gear 44T
37	741-0181	1	S	Sleeve Bearing
38	717-0835	1		Gear Hub 3/4" I.D. x 3.0" Lg.
39	717-0855	1		Spur Gear 30T 1.0" I.D. x 1/2" W
40	738-0647	1		Jack Shaft 5/8" Dia. x 5.0"
41	738-0648	1		Jack Shaft 5/8" Dia. x 2.38"
42	784-0215	1	S	Trans. Housing Ass'y.-R.H.
43	717-0858	1		Spur Gear 55T
45	741-0421	1		Wheel Brg. .752 x 2.50
46	713-0367	1	S	#420 Chain 1/2 Pitch x 50 0 Links-Endless
47	784-0170	1		Wheel Shaft Ass'y. 13"
48	784-0192	1	S	Bracket Gear Case-R.H.
49	784-0195	1		R.H. Housing Ass'y.
50	710-0116	1	S	Hex Bolt 5/16-18 x 2.0"
51	710-0378	1	/P	Hex Bolt 5/16-18 x 2.50"
52	710-0513	1		Hex Bolt 1/4-20 x .62" Lg.
53	736-0169	1	S	L-Wash. 3/8" I.D.
54	736-0176	1	S	FI-Wash. 1/4" I.D. x .93" O.D.
55	784-0207			Shifting Bracket

216-430-190 RB-580 (1986)
Tine Chain Case Assembly

Ref #	Part Number	Qty	S/P/F	Description
56	736-0406	1	S	Fl-Wash. 7/16" I.D. x 1-3/8" O.D.
	737-0223	1	S	Benalene #372-0 Grease (27 oz.)